

# PIP MOT BOOM



## INSTALLATION Guide

### Trademark Notice

Dimasa, Neoko and their logos are trademarks or registered trademarks of Distribución de Material de Alquiler y Soluciones Audiovisuales, S.L.

# Accessories

## PI SPK SHELF

-Speaker mount



## PI REMOTE CONTROL

-Remote control and markers support



## PI SQUARE BRACKETS

-Square bracket set for fixing Panasonic boards & any board weighting more than 35 Kgs



## PIP FLOOR BASE STANDARD

-Floor base for all PIP MOT and PIP MEC mounts

-Makes the use of any wall mount solution compatible with any kind of wall (even plasterboard ones) as most of the weight lies on the floor and not on the wall

-Floor legs with height adjustment for the use on any kind of floor surface

-Compatible with baseboard walls

-Floor – IWB bottom distance: Max. 68cm, Min. 23cm



## PIP FLOOR BASE LONG

-Same features as PIP FLOOR BASE STANDARD, but 30cm higher

-Floor - IWB bottom distance: Max. 98cm, Min. 53cm

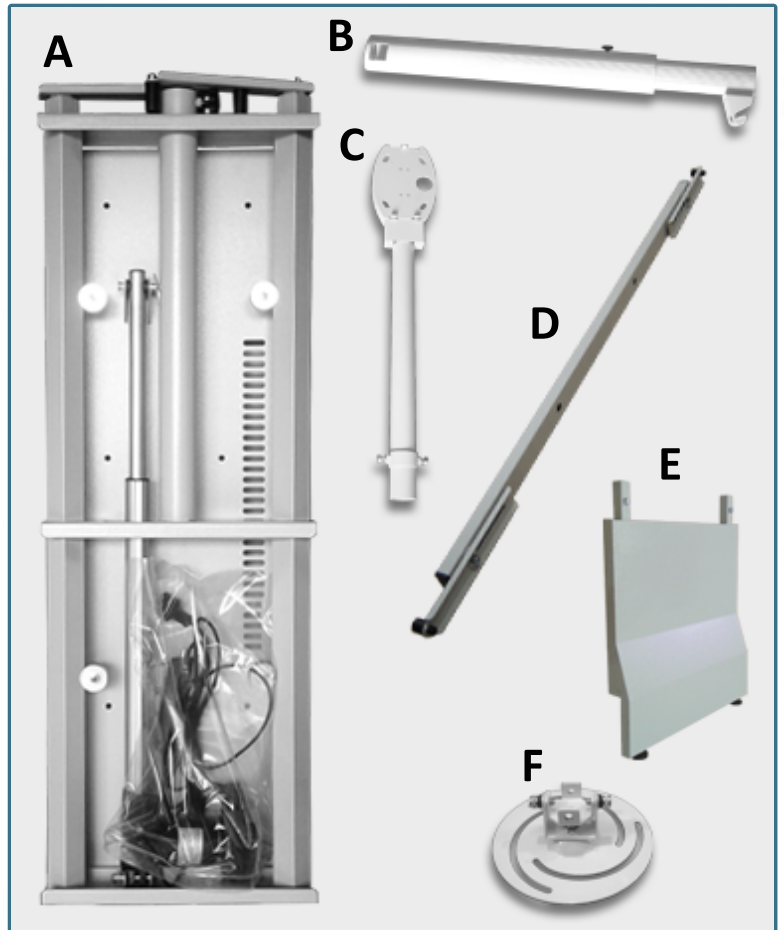


# Content

# PIP MOT BOOM Standard



- A** x1
- B** x1
- C** x1
- D** x1
- E** x1
- F** x1

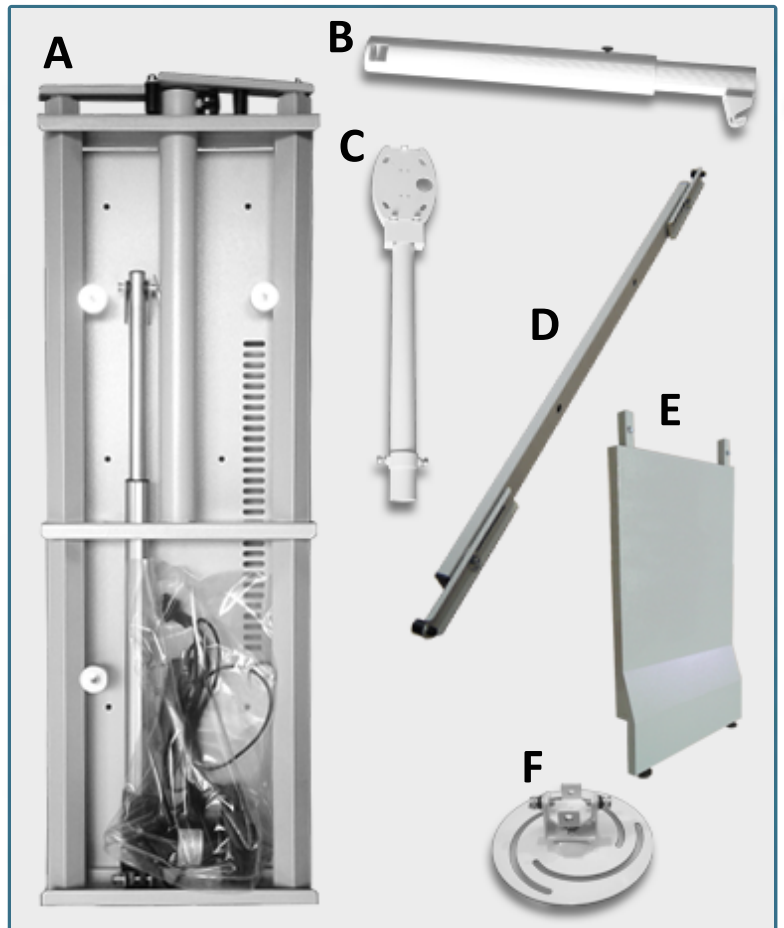


# Content

# PIP MOT BOOM Long



- A** x1
- B** x1
- C** x1
- D** x1
- E** x1
- F** x1



# PIP MOT BOOM Installation

## !!Attention!!



Please be aware as the up & down movement could catch a finger or hand if user does not use the machine correctly.

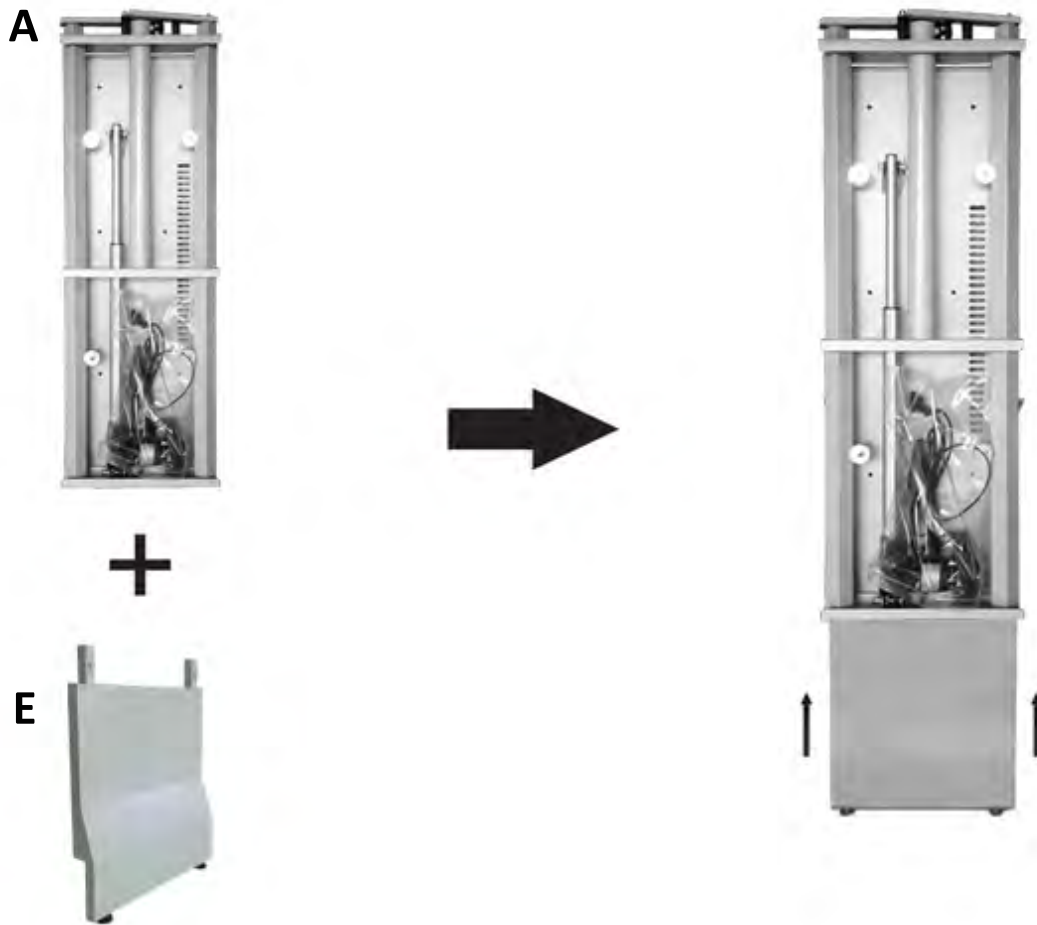
## NOTE

- Indoor use (not outdoor).
- For security reasons it is recommended that installation is done by **two people**
- Make sure mount installation has been finished correctly and all elements are securely fixed before starting product operation.
- The following tooling will be necessary for the installation:

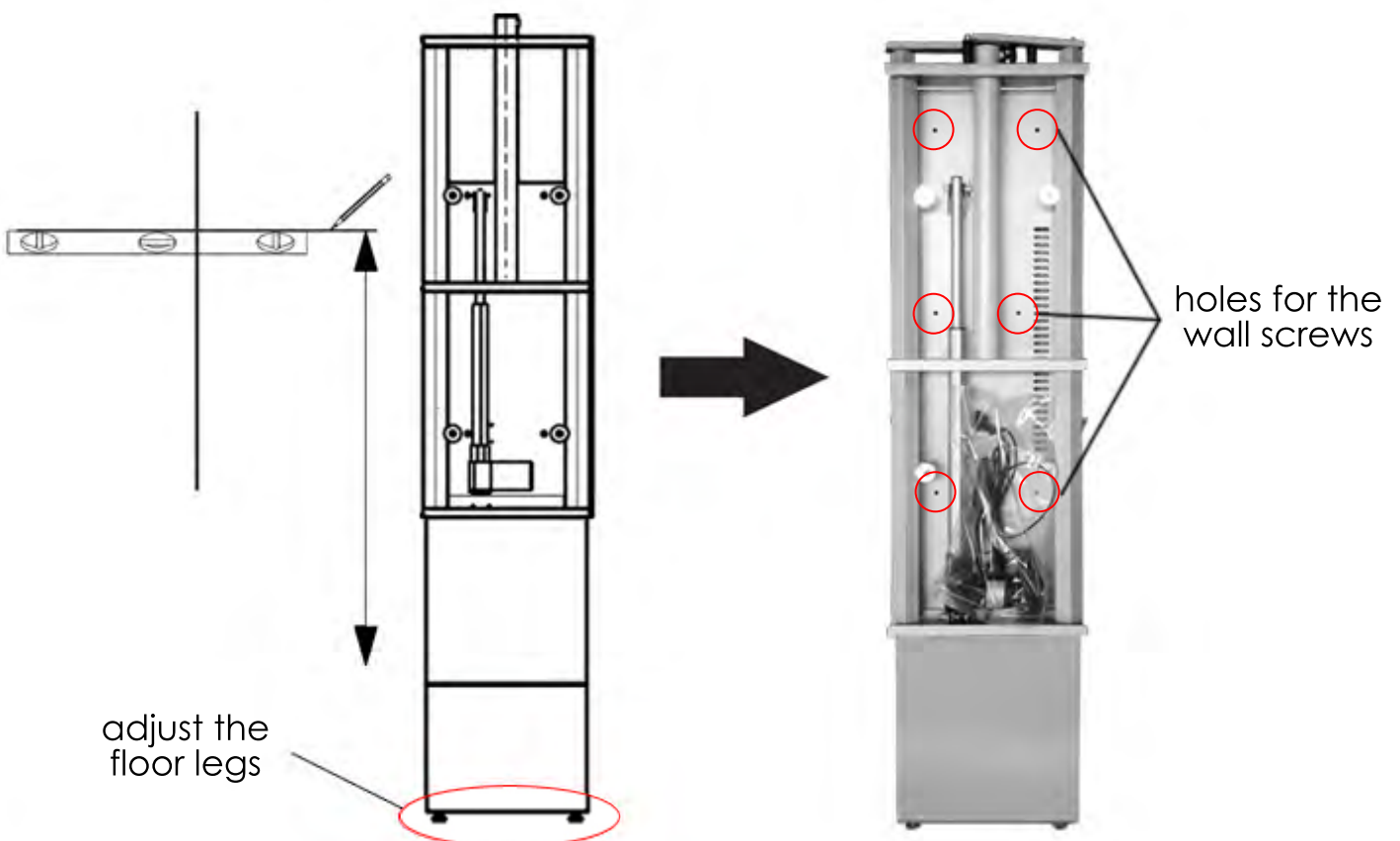


# PIP MOT BOOM Installation

**STEP 1** Fix the floor base to the structure.

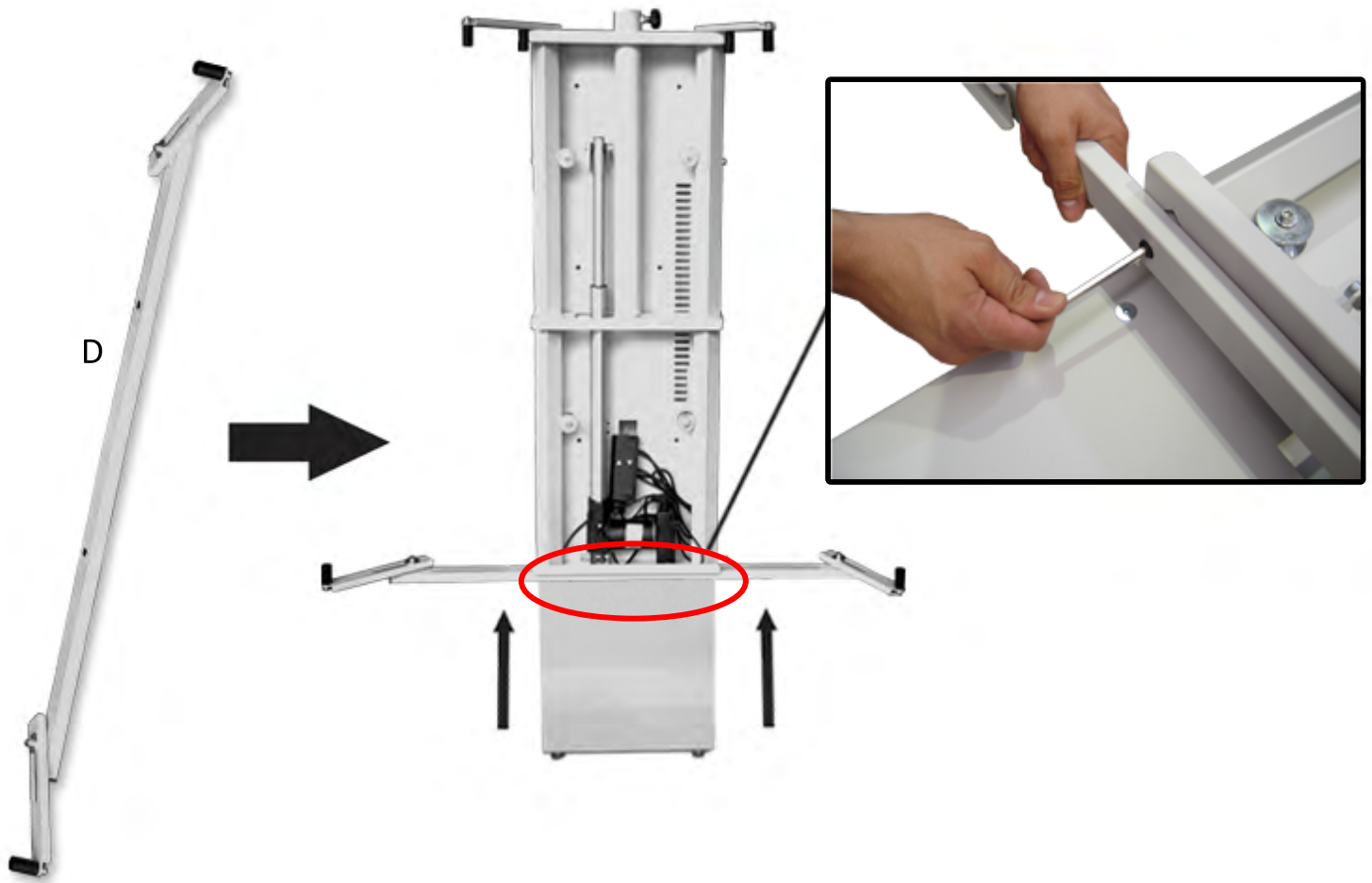


**STEP 2** After assuring the right level, fix the structure to the wall using appropriate screws according to the kind of wall (screws are not included).

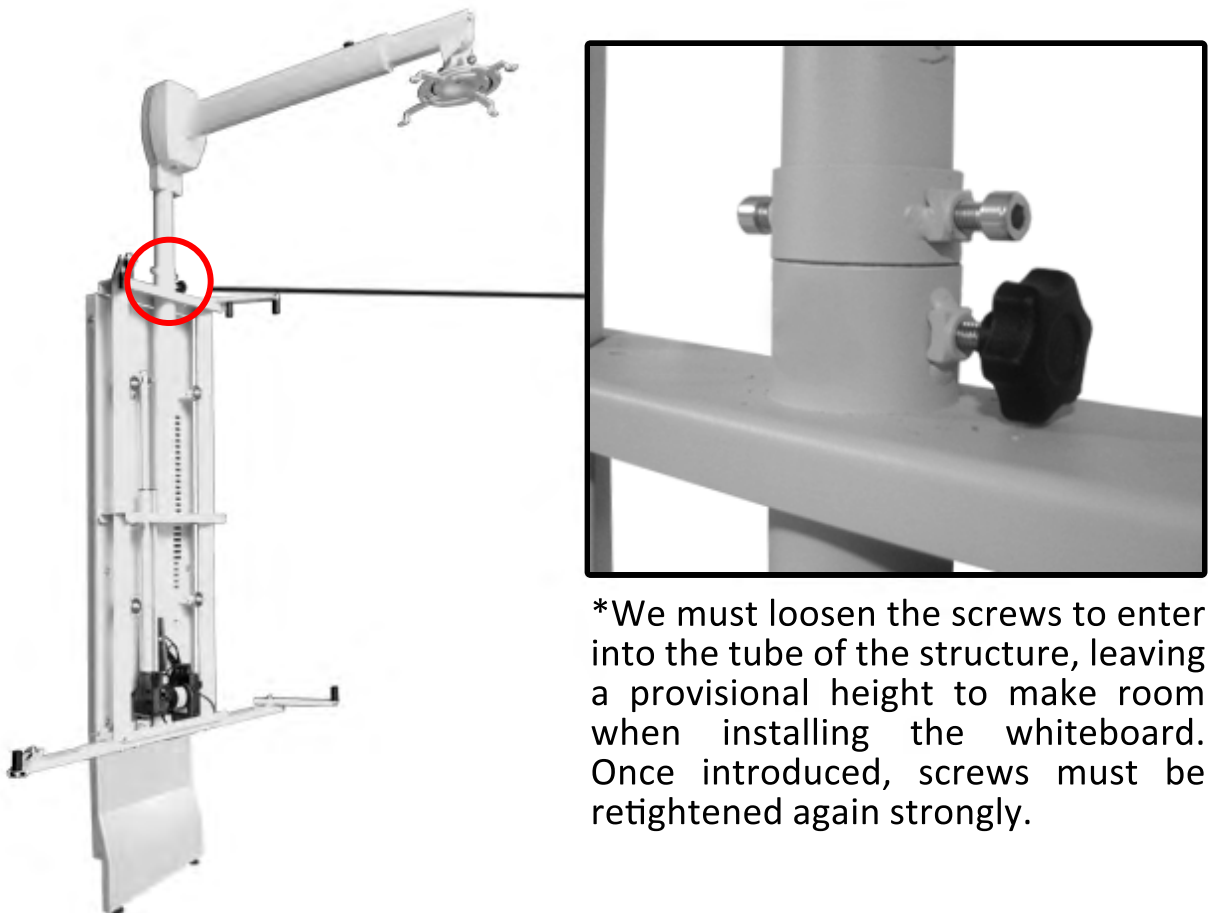


# PIP MOT BOOM Installation

## STEP 3 Fix horizontal bottom bar.



## STEP 4 Mount the projector boom (see page 7).

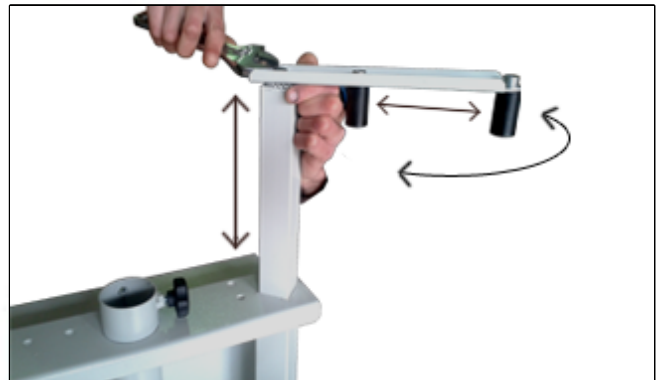
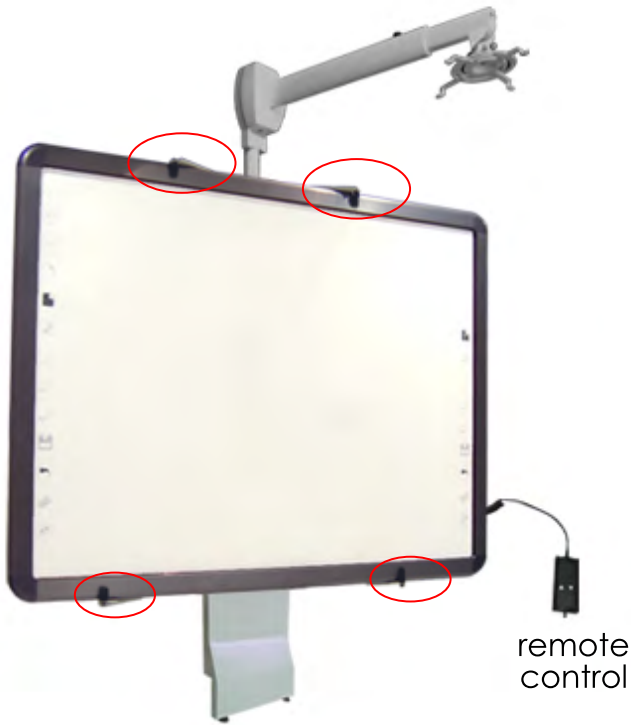


\*We must loosen the screws to enter into the tube of the structure, leaving a provisional height to make room when installing the whiteboard. Once introduced, screws must be retightened again strongly.



# PIP MOT BOOM Installation

**STEP 5** Mount the whiteboard and fix it using the 4 square brackets. Once whiteboard is fixed, fix square brackets strongly.



Adjustable square brackets

**STEP 6** Connect the motor to the power and adjust the height of the whiteboard with remote control to the desired height. Mount projector using the universal mount. (see pages 9 and 10).



## Security Switch

Remote control with built in security switch






















Remote control does not work without the security switch avoiding accidents with children.

## NOTE

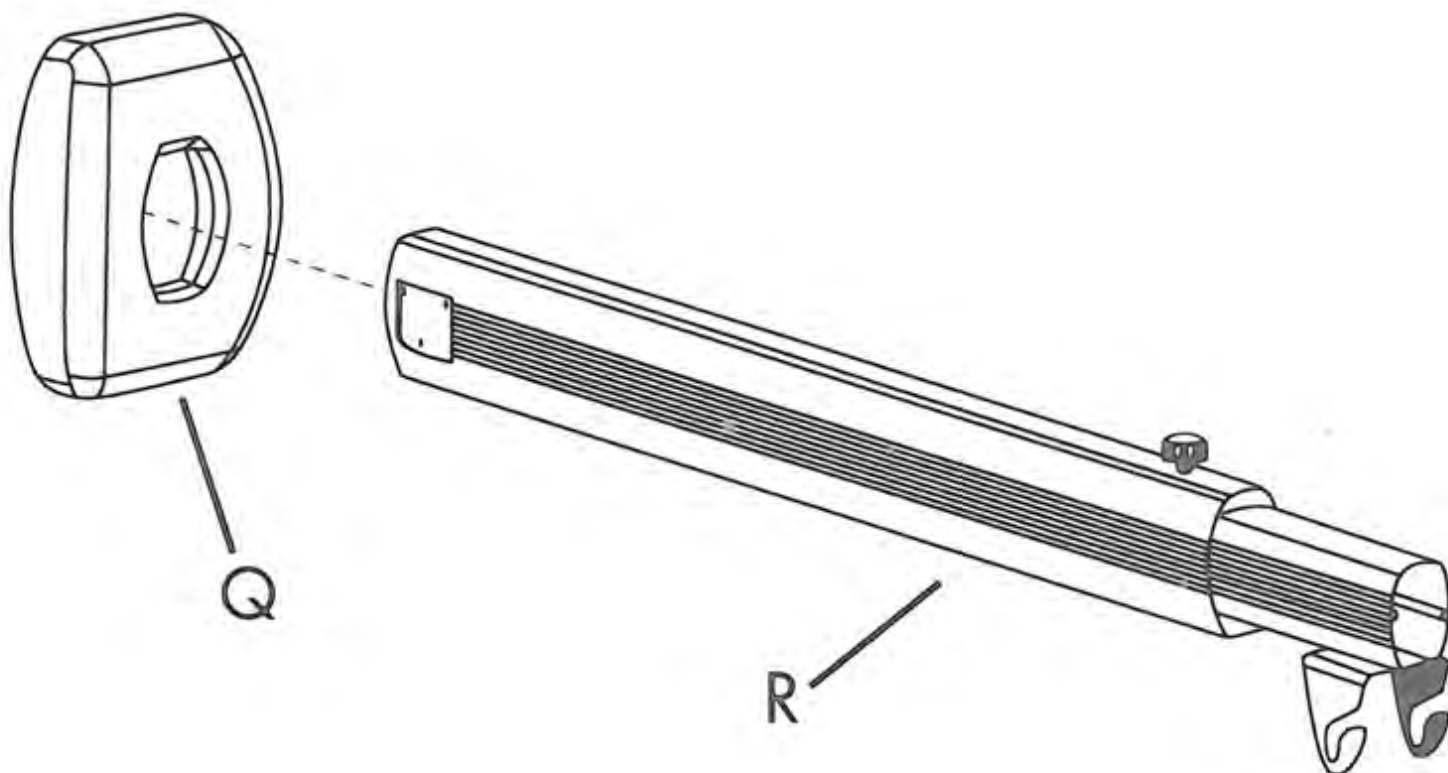
Socket-outlet shall be installed near the equipment and shall be easily accessible for a correct use of the mount

# PI BOOM Installation

## Pieces list

<b>A</b>  x4	<b>B</b>  x2	<b>C</b>  S=2,5mm X1	<b>D</b>  x7	<b>E</b>  x4	<b>F</b>  S=3mm X1	<b>G</b>  x4	<b>H</b>  x4	<b>I</b>  x4	<b>J</b>  x4
<b>K</b>  x4	<b>L</b>  x2	<b>M</b>  x2	<b>N</b>  S=6mm X1	<b>O</b>  x1	<b>P</b>  x1	<b>Q</b>  x1	<b>R</b>  x1	<b>S</b>  x1	

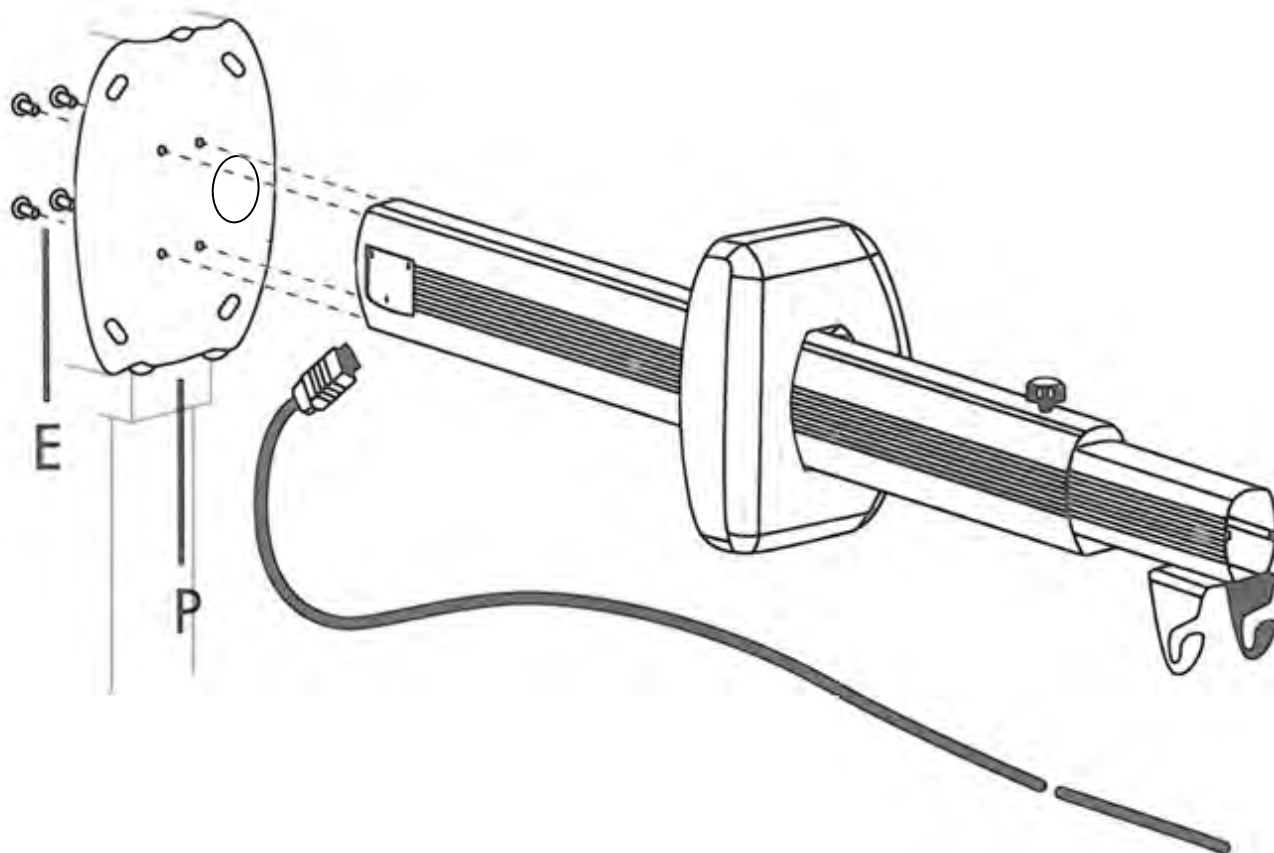
## STEP 1



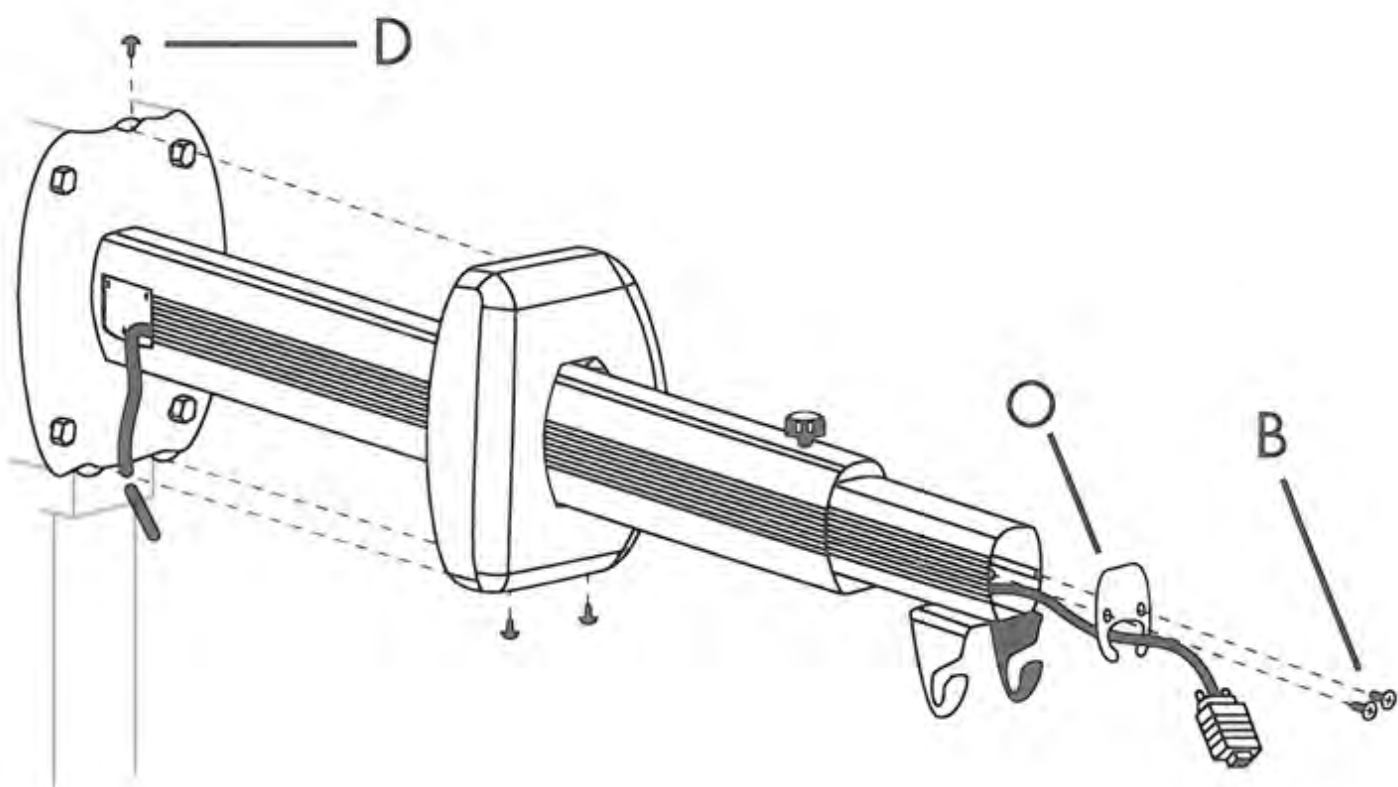


# PI BOOM Installation

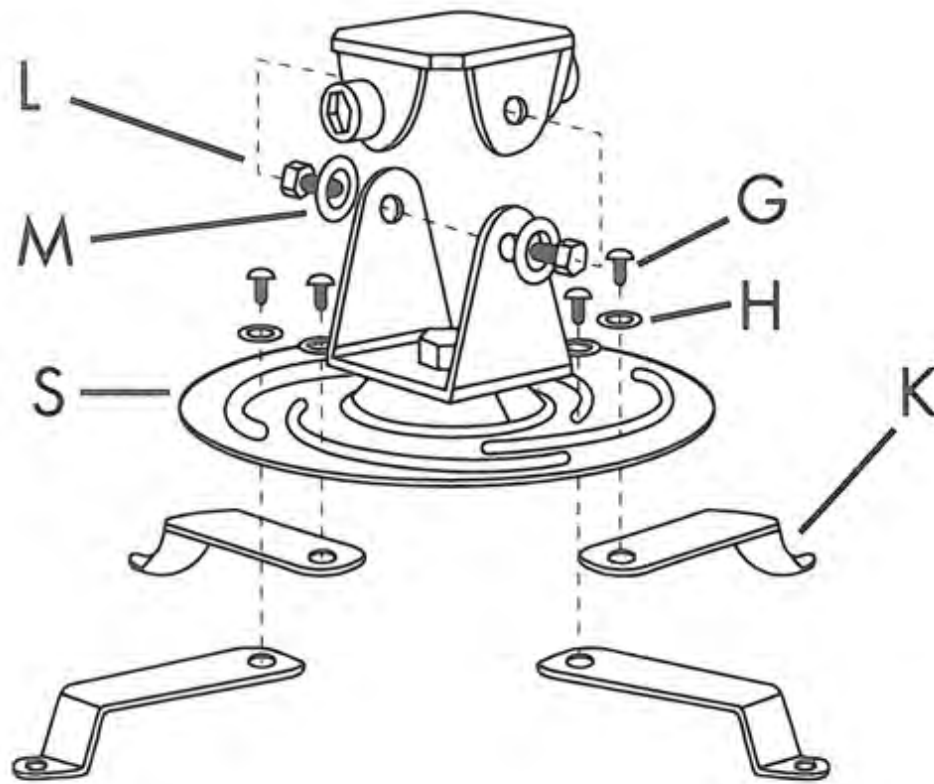
## STEP 2



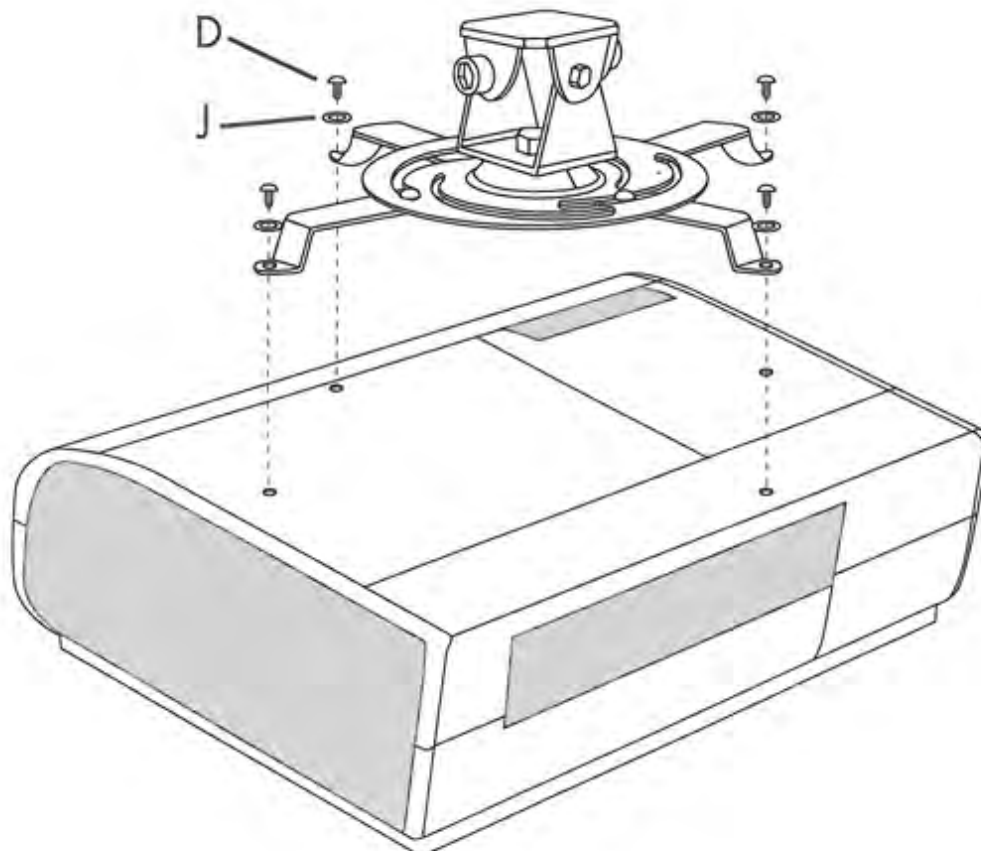
## STEP 3



## STEP 4

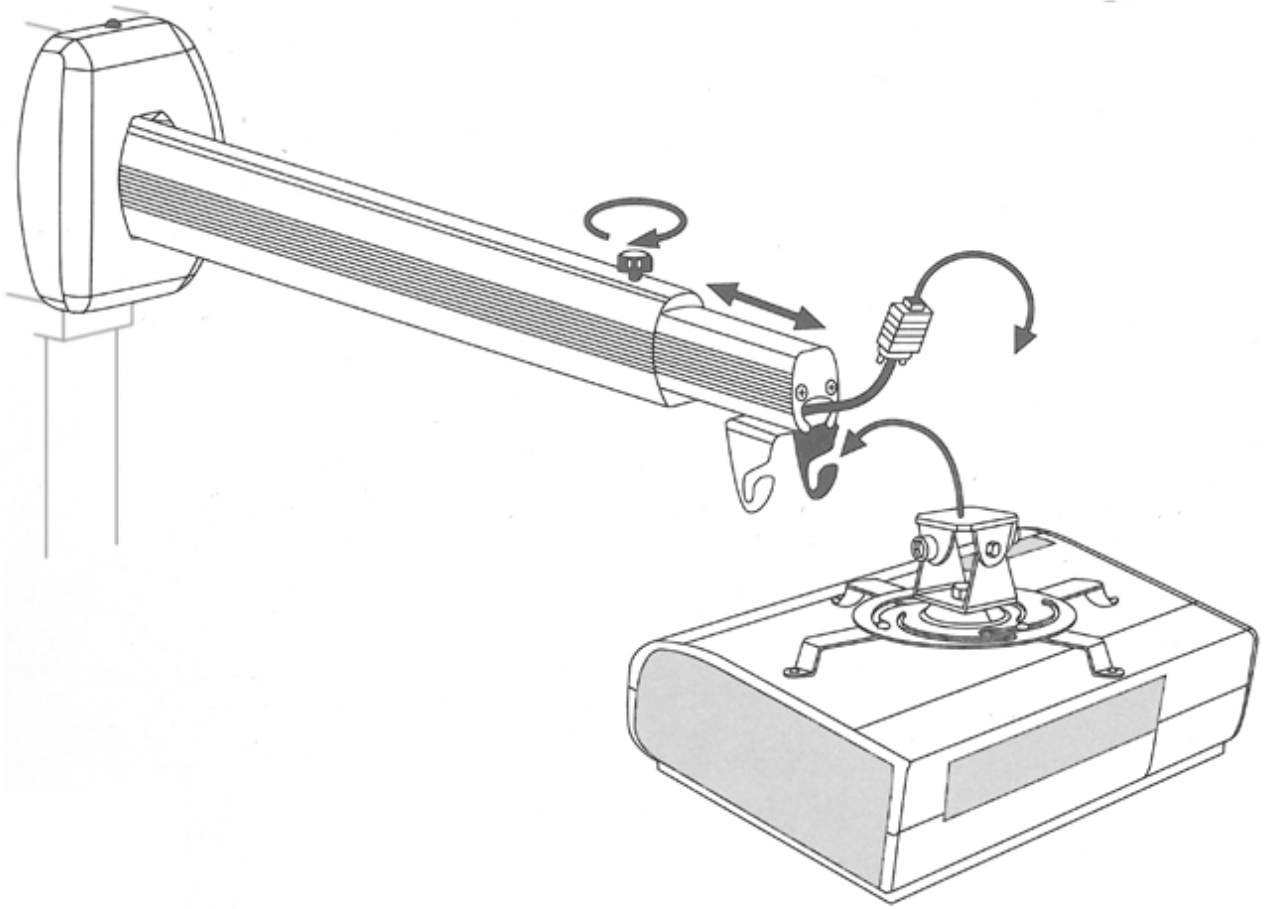


## STEP 5



# PI BOOM Installation

## STEP 6



## Warning

No extra weight appart from projector (maximum 5 Kgs) may be added to the projector boom for safety reasons.

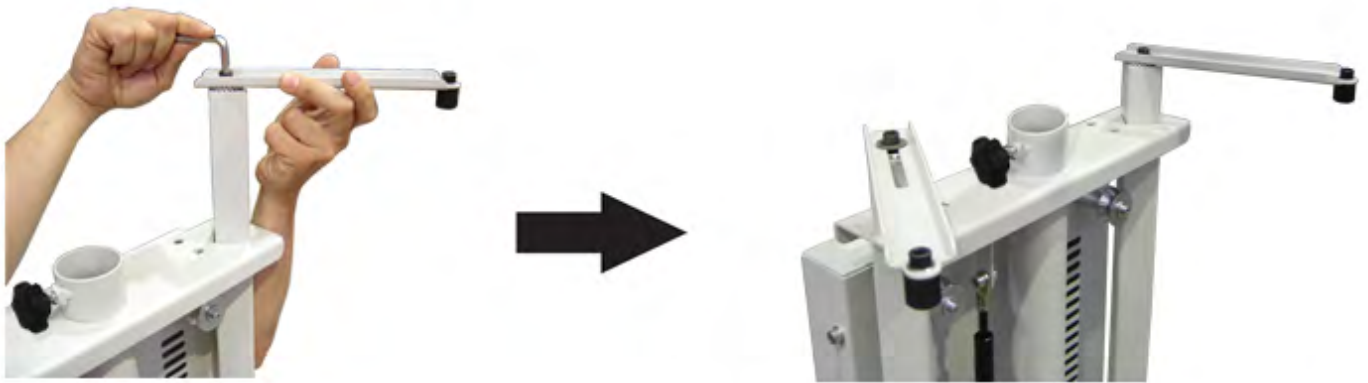
Do not hang on projector boom under any circumstances.

# ACCESSORIES Installation

## PI SPK SHELF

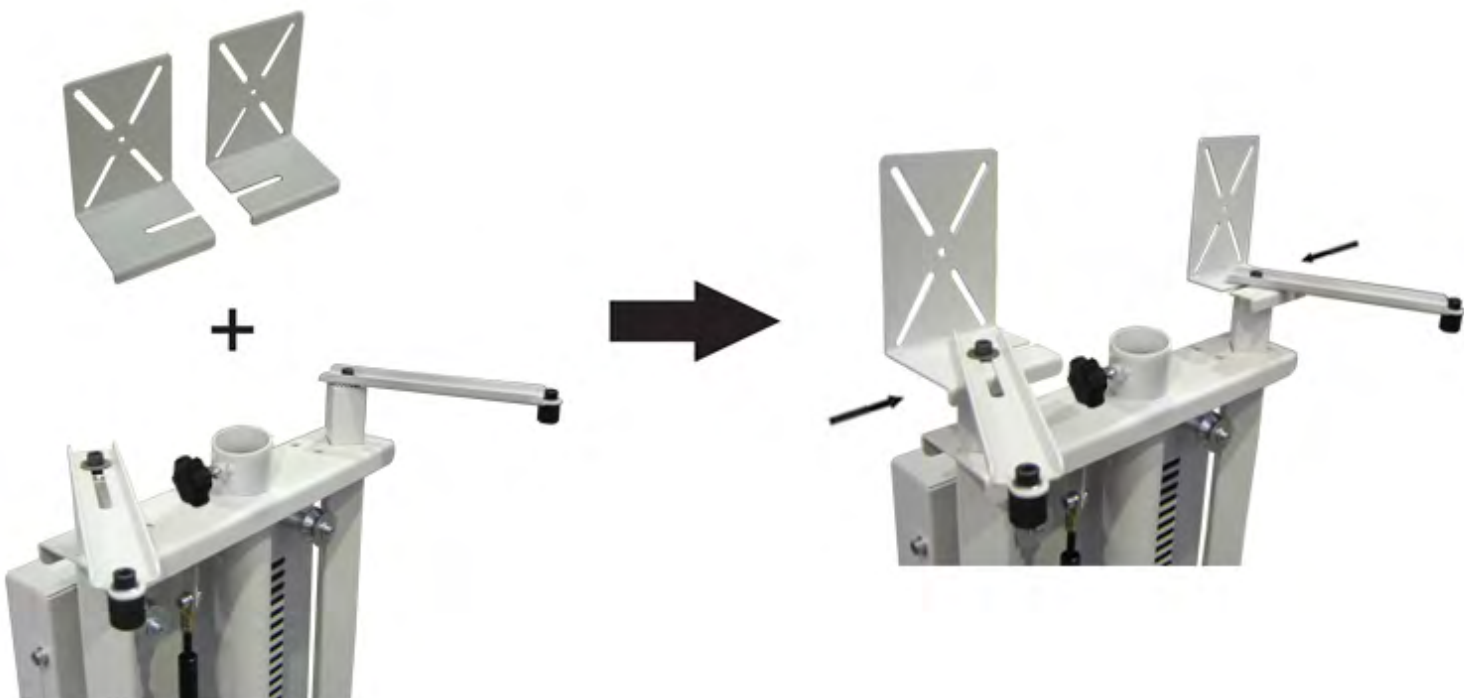


**STEP 1** Loosen screws of the two top square brackets.

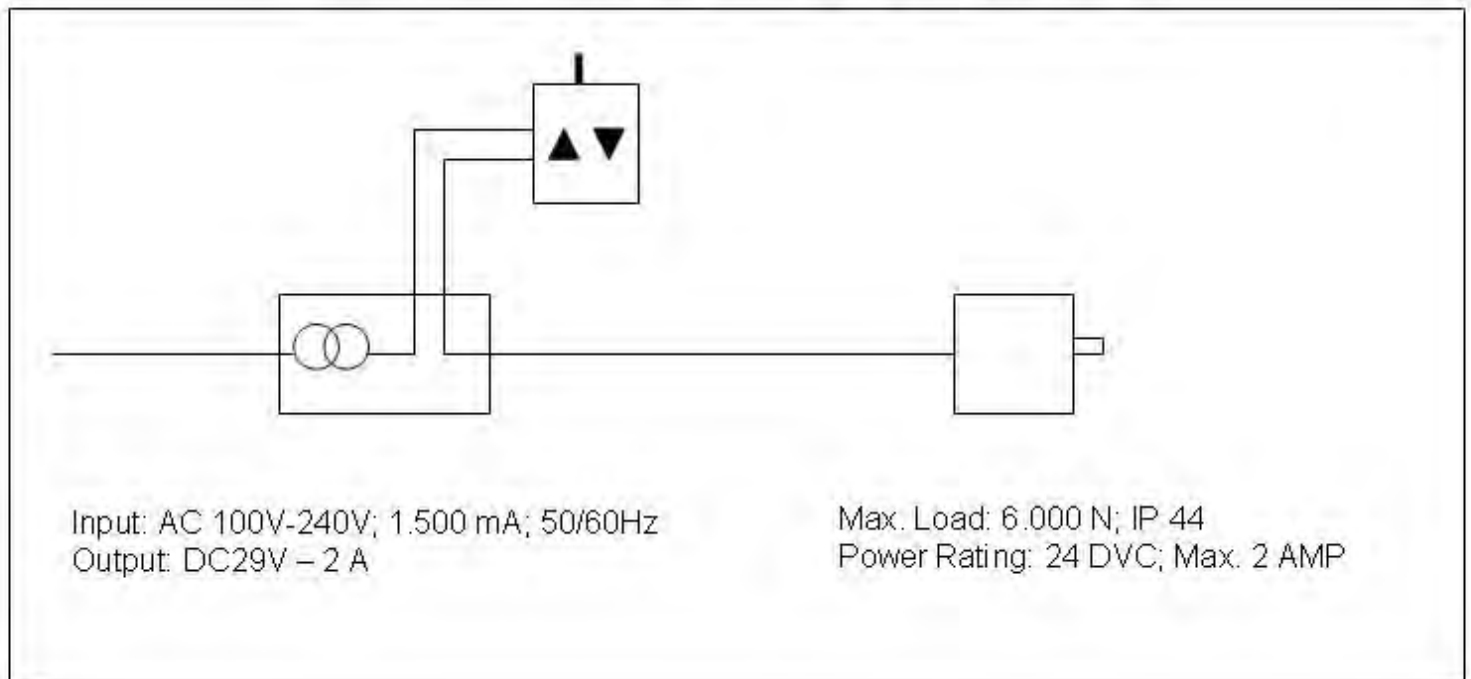


\* Do not take out completely the screws.

**STEP 2** Allocate PI SPK SHELF under the two top square brackets so that the screws enter into the lateral slot of each speaker mount. Tighten screws again strongly.



## ELECTRICAL DIAGRAM OF THE LIFTING SYSTEM



### Manufacturer & Technical Service:



**DIMASA**

**Distribución de Material de Alquiler y Soluciones Audiovisuales, S. L.**

C/ Camí de la Pellería nº 28, Pol. Ind. Bonavista

08915 Badalona, BARCELONA (SPAIN)

Ph.: (+34) 93 462 06 04

Fax: (+34) 93 462 11 31

email: [comercial@dimasa.es](mailto:comercial@dimasa.es)